



3

**DELI, BAKERY,
BUTCHERY, F&V**

3.1 WW SIGNS (Write and wipe price cards)

- ▶ No smudging or ghosting
- ▶ Very durable
- ▶ Personalise with your company logo
- ▶ Indefinitely re-usable
- ▶ High resolution digital printing
- ▶ A4 / A3 sizes also available to fit our rigid frame on page 58
- ▶ **KYTA WW CARD SIZES** (Portrait / Landscape)

A8	70 x 48	A8E	95 x 35
A7	95 x 70	A7E	140 x 48
A6	140 x 95	A6E	190 x 70
A5	190 x 140	A5E	190 x 95



1

Colour in the white areas of the digi8 using a black marker in order to create the sales price



2

Display the WW between products using the various Kyta attachments



3

Display the WW card for selected products



4

Use Kyta Clean or meths to wipe out black marker when the price has to change and repeat from step 1

WW SIGN BASIC DESIGNS (A7L)



- ▶ Company logo, colour background, Eurostrip or Nutrack label holder (30 x 90mm)



- ▶ Company logo, picture background, Eurostrip or Nutrack label holder (30 x 90mm)



- ▶ Company logo, description, product picture and double digi 8



Pork Loin Chops




Tomatoes



PRICE: _____
ITEM: _____



CARAMELLO'S



SUPERSPAR




Ice-Cream



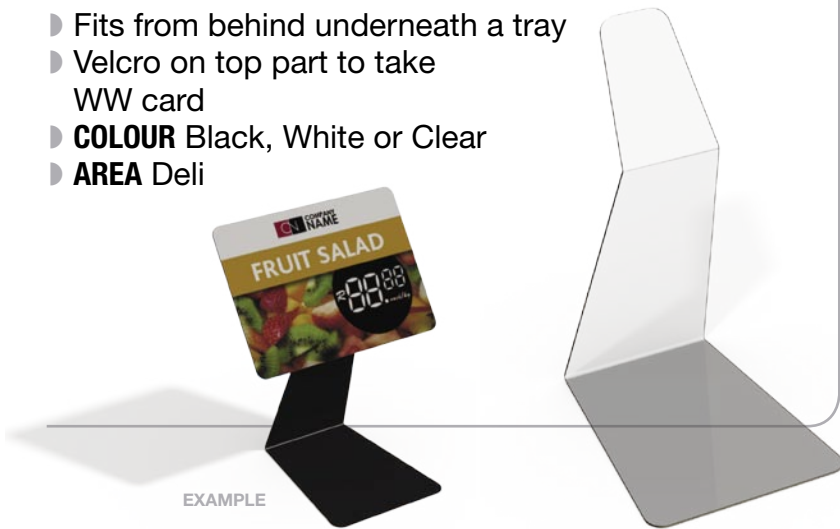
tip Our dynamic Design Team will create a WW design to suit your exact requirements.

3 DELI, BAKERY, BUTCHERY, F&V

3 DELI, BAKERY, BUTCHERY, F&V

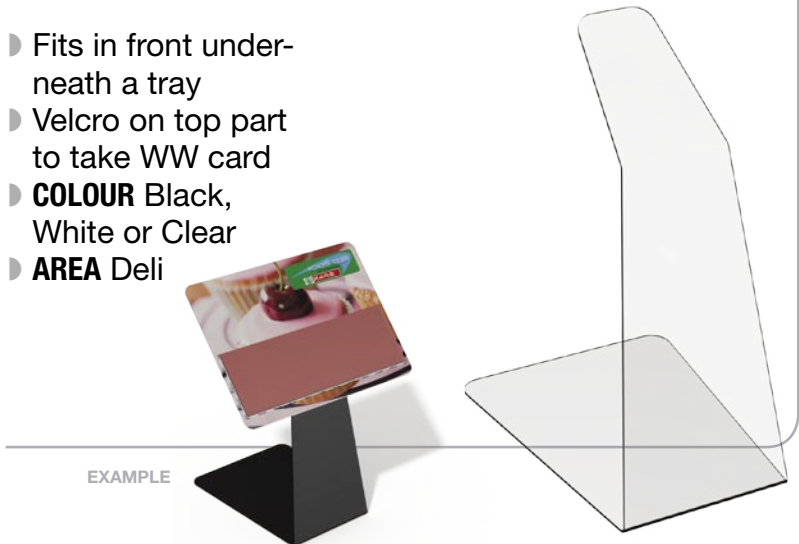
3.2 BUTS – Back under tray stand

- ▶ Fits from behind underneath a tray
- ▶ Velcro on top part to take WW card
- ▶ **COLOUR** Black, White or Clear
- ▶ **AREA** Deli



3.3 FUTS – Front under tray stand

- ▶ Fits in front underneath a tray
- ▶ Velcro on top part to take WW card
- ▶ **COLOUR** Black, White or Clear
- ▶ **AREA** Deli



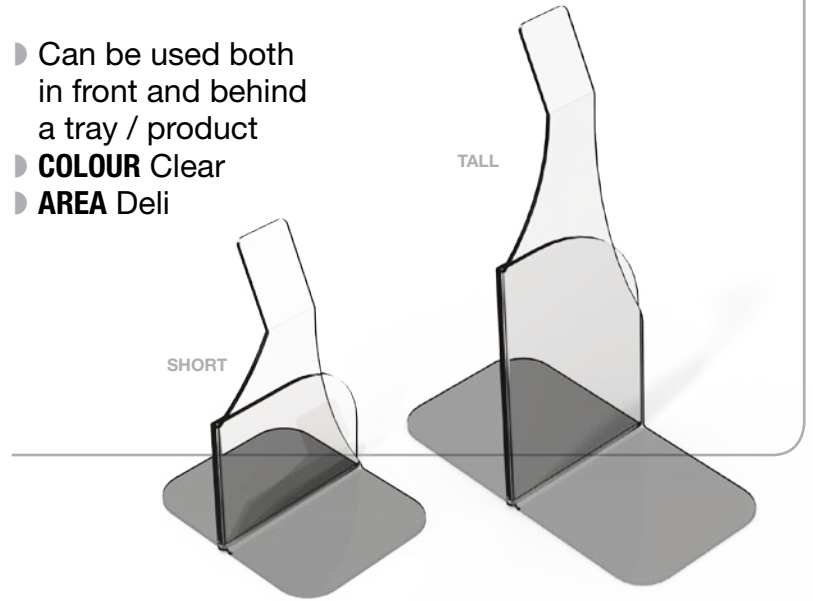
3.4 BS – Baker Stand

- ▶ Plastic L-Stand
- ▶ Velcro front to take WW card
- ▶ **COLOUR** Black
- ▶ **AREA** Bakery



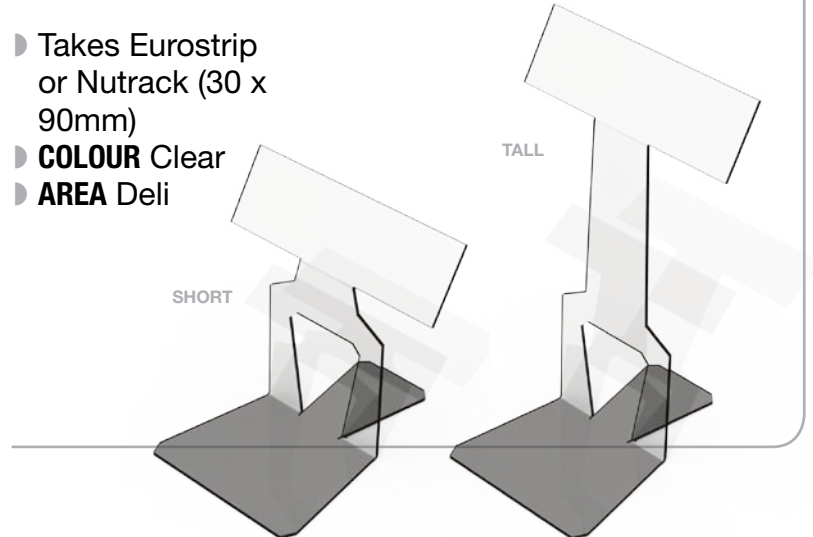
3.5 UNIVERSAL BUT/FUT – short and tall

- ▶ Can be used both in front and behind a tray / product
- ▶ **COLOUR** Clear
- ▶ **AREA** Deli



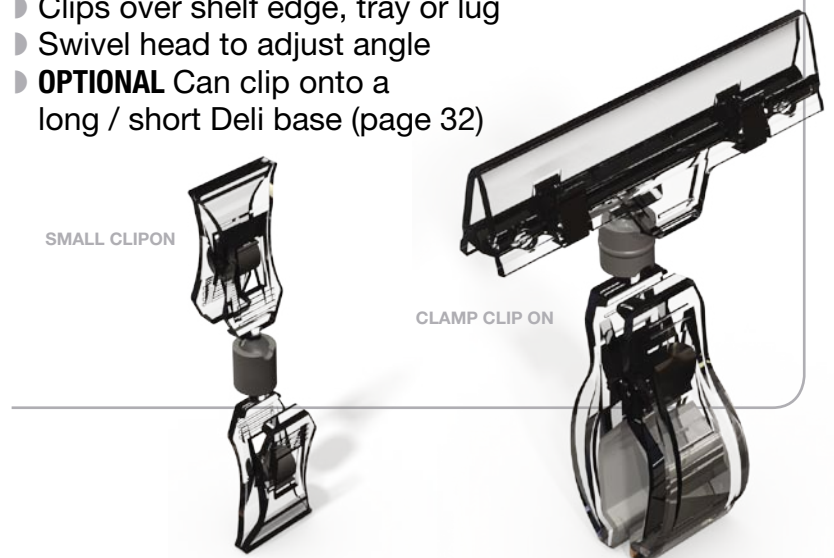
3.6 TRAY STAND – Short / Tall

- ▶ Takes Eurostrip or Nutrack (30 x 90mm)
- ▶ **COLOUR** Clear
- ▶ **AREA** Deli



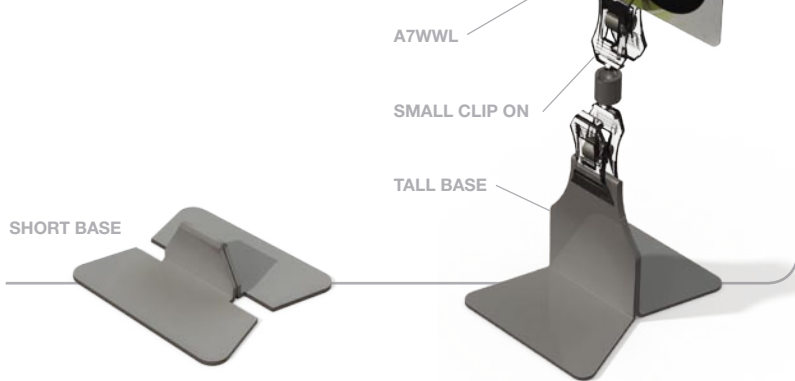
3.7 CLIPON PRICER - Clamp

- ▶ Clips over shelf edge, tray or lug
- ▶ Swivel head to adjust angle
- ▶ **OPTIONAL** Can clip onto a long / short Deli base (page 32)



3.8 SHORT / TALL BASE

- ▶ **COLOUR** Clear, white or black
- ▶ **AREA** Deli



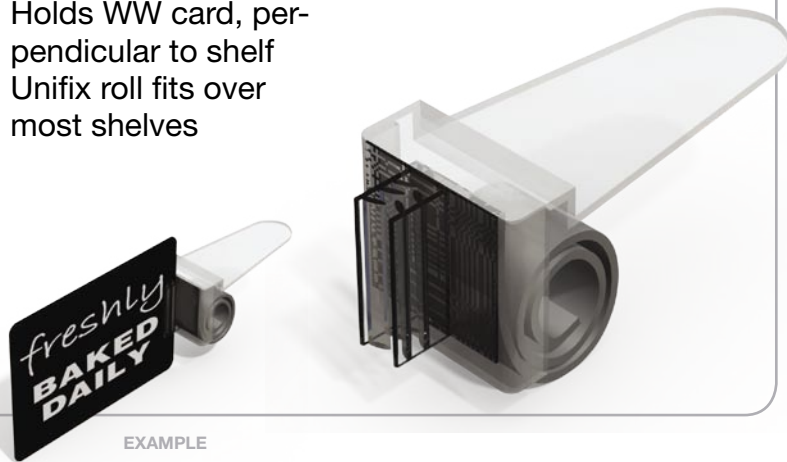
3.11 SS FUTS – Front under tray stand

- ▶ Holds A7WW card
- ▶ Stainless Steel
- ▶ Fits in front of a bain-marie tray
- ▶ **COLOUR** Silver
- ▶ **AREA** Hot foods



3.9 UNIFIX ROLL AND FLAG

- ▶ Holds WW card, perpendicular to shelf
- ▶ Unifix roll fits over most shelves



3.12 SS BUTS – Back under tray stand

- ▶ Holds A7WW card
- ▶ Stainless Steel
- ▶ Fits behind a bain-marie tray
- ▶ **COLOUR** Silver
- ▶ **AREA** Hot foods



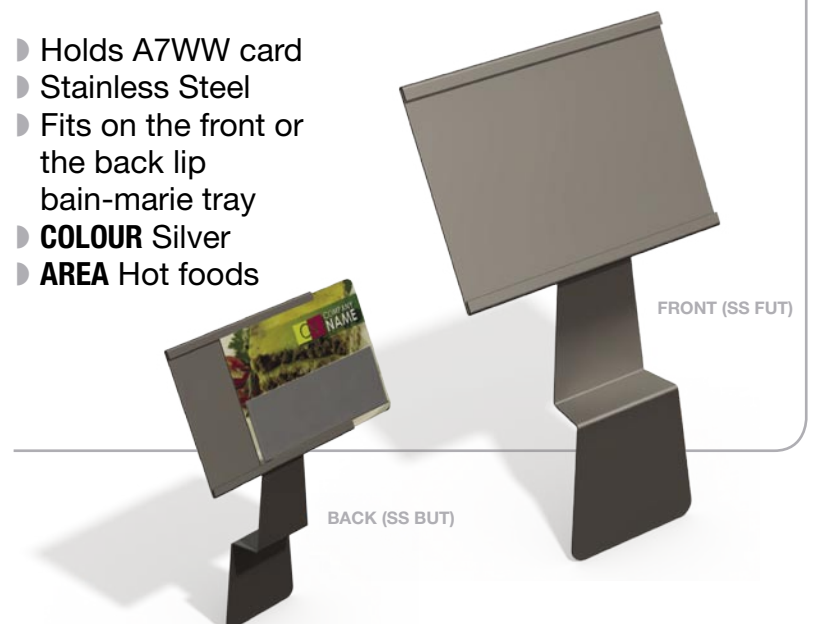
3.10 R-CLIP

- ▶ Clips onto plastic trays and wicker baskets
- ▶ Attached to the back of WW signs
- ▶ **COLOUR** Clip is clear
- ▶ **AREA** Deli / Cold foods



3.13 SS BAIN-MARIE – front/back

- ▶ Holds A7WW card
- ▶ Stainless Steel
- ▶ Fits on the front or the back lip bain-marie tray
- ▶ **COLOUR** Silver
- ▶ **AREA** Hot foods



3.14 SS TWISTED BAIN-MARIE

- ▶ Holds A7WW card
- ▶ Stainless Steel
- ▶ Fits in between two bain-marie trays
- ▶ **COLOUR** Silver
- ▶ **AREA** Hot foods



3.17 HOT FOOD HANGING PRICER

- ▶ Holds 90 x 30mm price label
- ▶ Stainless Steel hooks and aluminium channel
- ▶ Hooks over 5mm wire
- ▶ **COLOUR** Silver
- ▶ **AREA** Hot foods



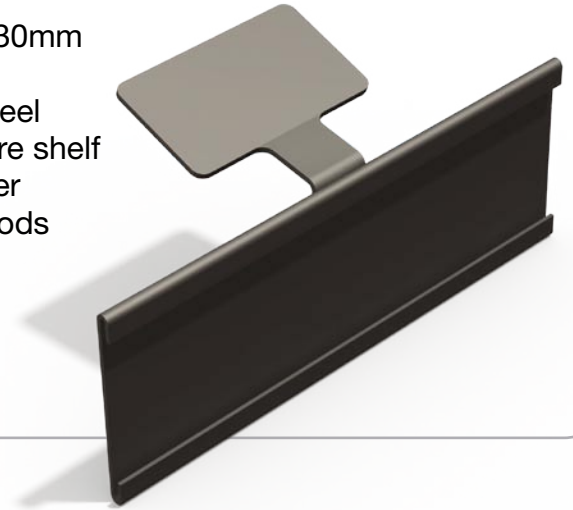
3.15 SS DOUBLE TRAY CLIP

- ▶ Holds A7WW card
- ▶ Stainless Steel unit
- ▶ Clips onto the front of a tray
- ▶ **COLOUR** Silver
- ▶ **AREA** Hot foods



3.18 PIE WARMER CLIP

- ▶ Holds 90 x 30mm price label
- ▶ Stainless Steel
- ▶ Hooks in wire shelf
- ▶ **COLOUR** Silver
- ▶ **AREA** Hot foods



3.16 HOT FOOD L-STAND

- ▶ Fits 90 x 30mm price label
- ▶ Sits at angle
- ▶ **COLOUR** Silver
- ▶ **AREA** Hot foods



BACK VIEW



3.19 HOT FOOD TRAY CLIP

- ▶ Holds 90 x 30mm price label
- ▶ Stainless Steel hook and aluminium channel
- ▶ Clips to the front of a metal tray
- ▶ **COLOUR** Silver
- ▶ **AREA** Hot foods



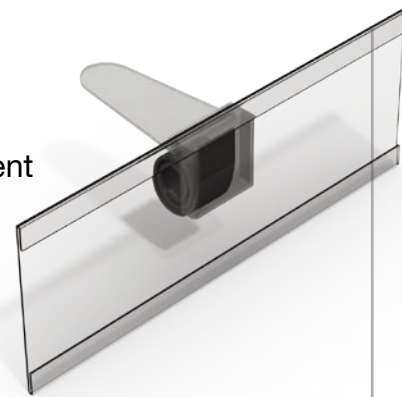
did you know?

We can anodise the metal cards in colours for your hot food area so it can still be used as a digi 8.



3.22 SLIDER

- ▶ Holds 2 x A7L WW cards
- ▶ Unifix roll for shelf attachment
- ▶ **COLOUR** Clear
- ▶ **AREA** Deli / Shelf edge



3.20 PIVOT PRICER CARD HOLDERS

- ▶ Fits description media size 90 x 30mm
- ▶ Pivot pricer (5 digit and 4 digit)
- ▶ **COLOUR** Clear acrylic
- ▶ **AREA** Deli



3.23 DOUBLE DELI SPIKE

- ▶ Holds WW card
- ▶ Stainless steel spike
- ▶ **AREA** Cold foods



3.21 CIRCULAR WIRE DELI CARD HOLDER

- ▶ Holds printed media
- ▶ Stainless Steel unit
- ▶ **COLOUR** Silver
- ▶ **AREA** Deli



3.24 FRUIT & VEG BOAT SIGN

- ▶ Metal arm with car clamp
- ▶ Hanging frosted acrylic panel with double sided sleeves to take POS media or WW's (65 x 210mm)
- ▶ **COLOUR** Silver
- ▶ **AREA** Fruit & Veg

